

MODEL T180-2

FROZEN CARBONATED SLUSH MACHINES



Available in stainless steel

High output, dual flavour carbonated frozen slush machine.



CARBONATION

Inline Carbonation™ – creates a more consistent over-run, quality, and yield.



DIGITAL CONTROL AND DISPLAY

Electronic simplicity offers easy-to-use keypad interface.



FLEXIBLE PLACEMENT

Optimal use of counter space with minimum ventilation of two inches on the sides and back.



FLAVOUR OPTIONS

Customizable individual barrels allow for hundreds of different drink profile combinations, including sugar-free options.



LOW OPERATING COST

Smallest and most cost-effective carbonated beverage dispenser on the market.



FOOTFALL

Ideal for high volume locations

OPTIONAL ACCESSORIES



Base Cart with Casters



Painted Sheet Metal



Install Kit



Leg Kit (set of four)



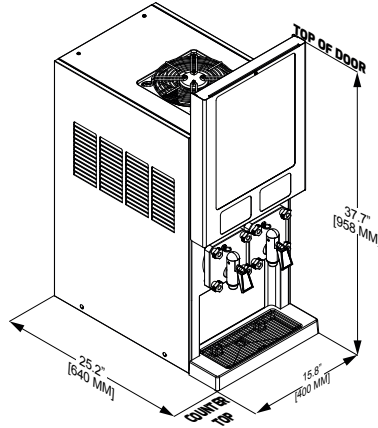
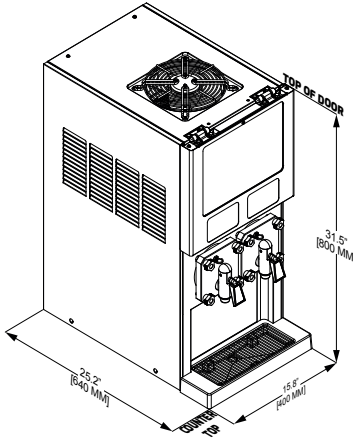
BIB Rack

**THE INDUSTRY'S #1 MOST PROFITABLE AND TRUSTED
CARBONATED SLUSH DISPENSERS**

MAXIMISE YOUR PROFITS

MODEL T180-2

FROZEN CARBONATED SLUSH MACHINES



CAPACITY

Dispenser Type	Air-Cooled Remote Water-Cooled
Barrels	2x 128 oz
Clearance Requirements	Sides and Back: 2 in. (51 mm) Minimum. Top: 12 in. (305 mm) Minimum (from unit top panel)
Output Capacity	180 (10oz) cups /hr

WEIGHT

Empty Unit	96kg
------------	------

DIMENSIONS

	NET (IN/MM)	SHIPPING (MM/IN)
Width	15.8in	NA
Depth	25.2 in	NA
Height:	short door 31.5in tall door 27.7in	

ELECTRICAL

AMP	WATTS
13	NA

WATER, CO2 AND SYRUP REQUIREMENTS

Water System Input	3/8" Sply Line, 30 PSIG Flow (min)
CO2 System Input	70 - 72 PSIG (maximum)
Syrup	Input: 70 - 72 PSIG (482-496 kPag) Bag-In-Box (BIB) Connections, (2) Base Syrups

FEATURES

- ✓ MANUFACTURED TO THE HIGHEST SPEC FOR RETAILERS WITH STEADY FOOT TRAFFIC WHO NEED TO GENERATE HIGH MARGINS WITH MINIMAL COUNTER SPACE
- ✓ SMALLEST FOOTPRINT IN THE INDUSTRY WITH ENOUGH CAPACITY TO ENSURE YOU HAVE PLENTY PRODUCT TO HANDLE THOSE BUSY TIMES.
- ✓ DESIGNED WITH INNOVATIONS TO ALLOW EASY ACCESSIBILITY TO MAXIMISE UPTIME.
- ✓ COMPETITIVELY PRICES TO ALLOW OWNERSHIP AND TRANSPARENCY OF COSTINGS
- ✓ PROFIT DRIVER IN ALL HOSPITALITY SECTORS INCLUDING LEISURE, EDUCATIONAL, CONVENIENCE, RETAIL, RESTAURANTS, COFFEE SHOPS, FAST FOOD, PUBS & BARS