

# Refrigerator 1/1 Gastronom Counters

700mm Depth With Covered Upstand

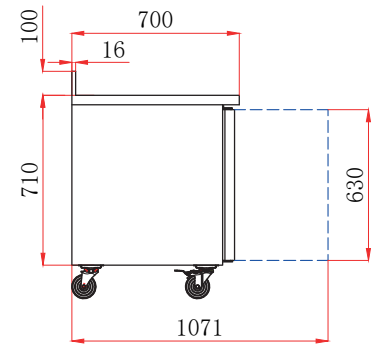
HBC2



HBC3



HBC4



## FEATURES

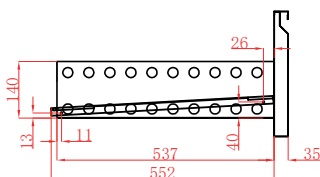
- Stainless steel exterior & interior
- Even air distribution by ducted system
- Available with 2 or 3 drawer option -  
2 drawer option: GN container max. depth 150mm  
3 drawer option: GN container max. depth 100mm
- Heavy duty castors as standard
- Coved 100mm upstand as standard
- Internal corners rounded for easy cleaning
- 1 x adjustable GN1/1 shelf per door
- Self closing doors with dwell position
- Replaceable door gasket

## TECHNICAL SPECIFICATIONS

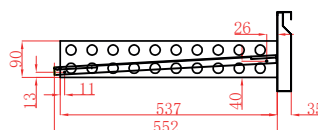
- Cooling: Ventilated
- Controller: Dixell controller
- Defrost: Automatic
- Refrigerant: R290
- Climate Class: 4
- Temperature Range: +2°C ~ +8°C
- Power Supply: 13amp

MODEL	GROSS CAPACITY	EXT. DIMENSIONS (H x W x D mm)	ENERGY RATING	POWER CONSUMPTION	KWH /ANNUM	DECIBELS	WEIGHT (kg)	RRP
HBC2	282L	950* x 1360 x 700	C	215W	822	42dBA	128	
HBC3	417L	950* x 1795 x 700	C	230W	1162	42dBA	154	
HBC4	553L	950* x 2230 x 700	D	345W	1741	42dBA	185	
2 Drawer Pack								
3 Drawer Pack								

\* includes 100mm upstand



2 drawer size



3 drawer size

