



SP
PEELER

PRODUCT OPTIONS AND ACCESSORIES

- S58/568 Filter Basket - Integral - for SP Potato Peeler
- S58/569 Interceptor Tank - for SP Potato Peeler [pedestal mounted/2" BSP]
- A29/003 Lid Retaining Strap for SP/VQ Potato Peeler
- S61/168 Stand for SP Potato Peeler
- S58/570 Waste Ejector for SP Potato Peeler [2" BSP]

With a small footprint and quiet motor, the energy-efficient SP25 (1PH) peeler is ideal for medium and large kitchens with a single-phase power supply. Offering the speed and convenience of pre-prepared products, it has the power to peel up to 25kg of vegetables in two minutes - up to 513kg per hour - saving space and time.

Simple and safe to operate, the floor-standing SP25 (1PH) has a low pedestal, for quick and easy discharge of potatoes.

Constructed from rust-proof stainless steel, the SP25 (1PH) is robust and low maintenance, with a heavy-duty belt and pulley drive. Its corrosion-

PRODUCT FEATURES

- Able to peel 25kg of potatoes in 2 minutes - up to 513kg per hour
- Upright design with small footprint, ideal for medium and large operations
- Low pedestal for quick and easy discharge of potatoes
- Lubricated, heavy-duty gearbox makes peeling operation smooth and reliable
- Dual position waste outlets and smooth cylinder base for quick, easy cleaning.
- Long-lasting, rust-proof plate and replaceable liners for effective peeling
- Suitable for kitchens with single-phase power supply
- WRAS-approved Class A air-break and brass spray nozzle to prevent water escape

A/A FILE NUMBER:

ITEM NUMBER:



IMC SP25 FLOOR-MOUNTED POTATO PEELER - 1 PHASE - H 1080
MM - 0.75 KW

MODEL: F58/910

WEIGHTS & DIMENSIONS

Width	602 mil
Depth	727 mil
Height	1057 mil
Weight	66.5 kg

SHIPPING DETAILS

Ship Width	79 cm
Ship Depth	65 cm
Ship Height	155 cm
Ship Weight	73.15 kg
Number of Shipment Parcels	1
Ship Method	Small Parcel (FedEx, UPS, DHL)
Shipping Origin Zip Code	LN6 3QZ, UNITED KINGDOM
Quick Ship Product	No

PRODUCT CERTIFICATIONS



ENERGY SPECS

Primary Energy Type	Electric	Number of Electrical Plugs	1
Electrical Total Amperage	10 A	Electrical Connection Type	Cord and Plug
Electrical Volts	230V	Number of Electrical Conductor Wires	1
Electrical Total Wattage	750 W	Dedicated Circuit Required	No
Electrical Kilowatts	0.75 kW	Electrical Remarks	Single
Electrical Phase	1-Phase	Energy Saving	No
Electrical Plug Type	UK 3-Pin Plug		

ADDITIONAL SPECIFICATIONS

Airbreak	Yes
Control Type	On/Off
Hopper Load	25 kg
Motor Power	1 hp
Operator Safety Method	User Guide
Processing Capacity Per Hour	220 kg
Timer Type	Mechanical/Traditional Timer

IMC reserves the right to modify specifications or discontinue models without incurring obligation. Dimensions nominal.

Document Auto-Generated
July 02, 2024





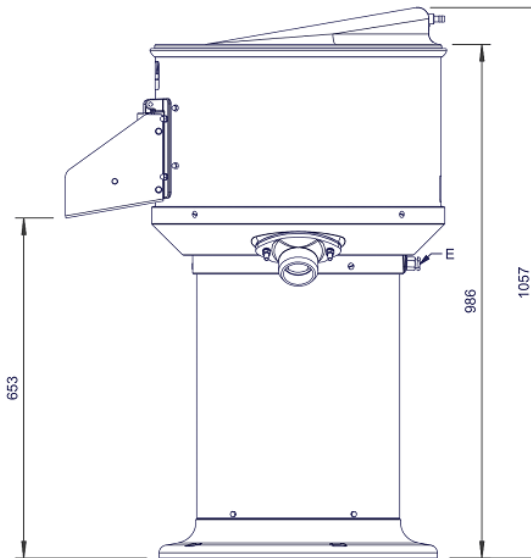
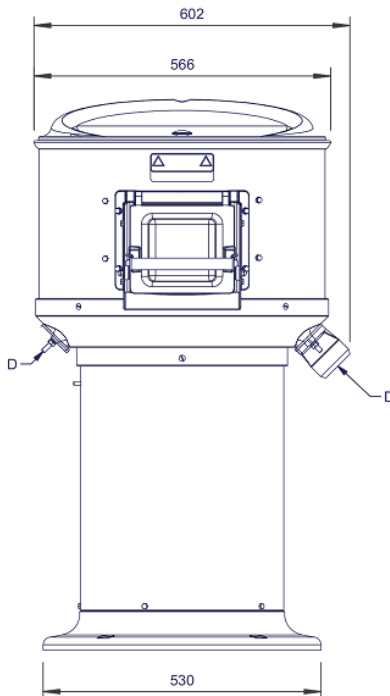
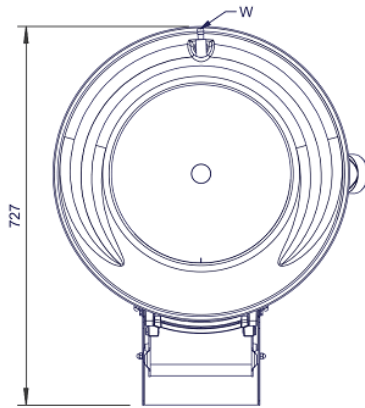
IMC SP25 FLOOR-MOUNTED POTATO PEELER - 1 PHASE - H 1080
MM - 0.75 KW

MODEL: F58/910

BIDDING SPECIFICATIONS

Bidding Specifications Not Available.

TECHNICAL DRAWING



IMC reserves the right to modify specifications or discontinue models without incurring obligation. Dimensions nominal.

Document Auto-Generated
July 02, 2024