



FRIFRI ECO 4 ELECTRIC COUNTER-TOP SINGLE TANK FRYER - 1 BASKET - W 203 MM - 3.2 KW

MODEL: 650101



Minimum space, maximum output. The FriFri 3.2kW Eco 4 Counter Top Fryer won't take up much space on your worksurface, but it will deliver when you need it to. Sturdy, with a stainless steel tank for easy cleaning, it's ideal for any venue where chips and other highly-flavoured fried foods are required. Its high power elements reduce the heat up and recovery time of the oil, increasing the output of food. Equipped with a mechanical thermostat for maintaining oil temperature, the Eco 4 boasts the kind of quality that customers have come to expect from the FriFri brand for over 70 years.

PRODUCT FEATURES

- Ideal for the supply of portions of chips, as an occasional fryer or for cooking highly flavoured food
- Mechanical thermostat for maintaining oil temperature to within +/-8 °C of the temperature set
- One piece pressed stainless steel tank with rounded corners and lift-out control panel for reduced cleaning times

A/A FILE NUMBER:

ITEM NUMBER:



FRIFRI ECO 4 ELECTRIC COUNTER-TOP SINGLE TANK FRYER - 1 BASKET - W 203 MM - 3.2 KW

MODEL: 650101

WEIGHTS & DIMENSIONS

Width	203 mm
Depth	375 mm
Height	295 mm
Weight	4.6 kg

SHIPPING DETAILS

Ship Width	42 cm
Ship Depth	22 cm
Ship Height	33 cm
Ship Weight	5.06 kg
Number of Shipment Parcels	1
Ship Method	Small Parcel (FedEx, UPS, DHL)
Shipping Package Type	Pieces
Shipping Origin Zip Code	LN6 3QZ, UNITED KINGDOM
Quick Ship Product	No

PRODUCT CERTIFICATIONS



ENERGY SPECS

Primary Energy Type	Electric	Electrical Phase	1-Phase
Electrical Total Amperage	13.9 A	Number of Electrical Plugs	1
Electrical Volts	230V	Number of Electrical Conductor Wires	1
Electrical Total Wattage	3200 W	Dedicated Circuit Required	Yes
Electrical Kilowatts	3.2 kW	Electrical Remarks	Single

ADDITIONAL SPECIFICATIONS

Auto Oil Top-Off	No	Total Oil Capacity (volume)	4 l
Basket Lift Type	Not Applicable	Oil Reclamation	No
Construction Materials	Stainless Steel	Oil Temperature Control	Mechanical
Control Type	Rotary Control Knob	Pumped Oil Filtration	No
Food Production Rate	6kg fries - 7mm [frozen]	Vat 1 Oil Capacity (volume)	4 l
Fryer Type	Open Pot	Ventless Cooking Technology	No
Integrated Filtration	No	Split Pot	No
Number of Baskets	1	Temperature Maximum	190 °C
Number of Vats (batteries)	1		

FriFri reserves the right to modify specifications or discontinue models without incurring obligation. Dimensions nominal.

Document Auto-Generated
January 09, 2025





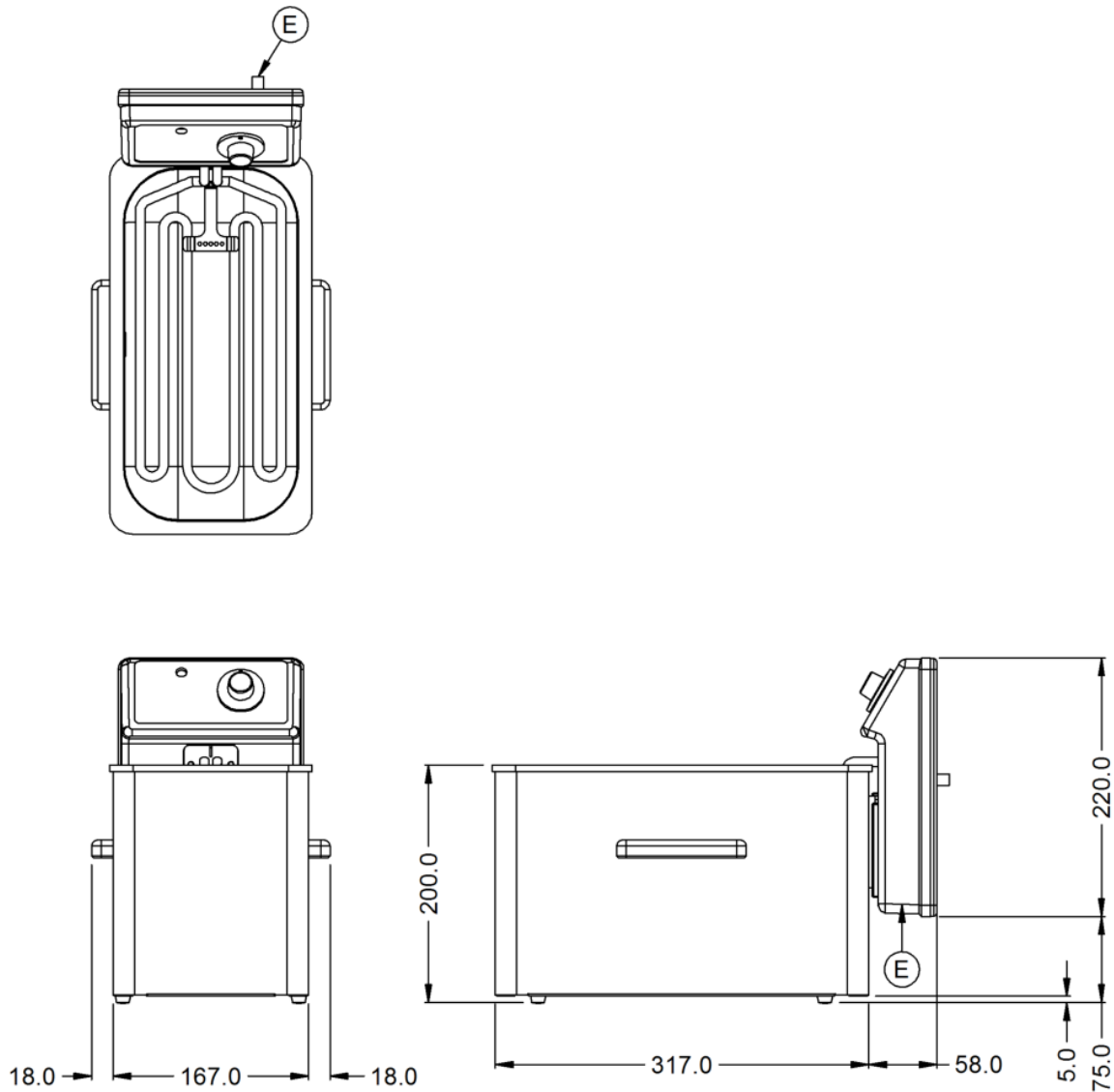
FRIFRI ECO 4 ELECTRIC COUNTER-TOP SINGLE TANK FRYER - 1
BASKET - W 203 MM - 3.2 KW

MODEL: 650101

BIDDING SPECIFICATIONS

Bidding Specifications Not Available.

TECHNICAL DRAWING



Frifri reserves the right to modify specifications or discontinue models without incurring obligation. Dimensions nominal.

Document Auto-Generated
January 09, 2025

